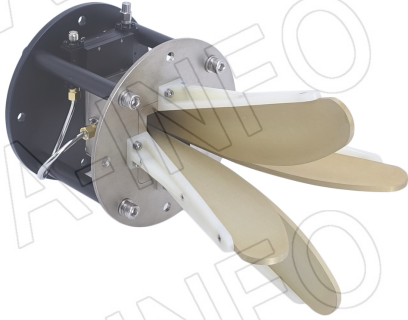


For reference only. See data sheet for the detailed specifications.

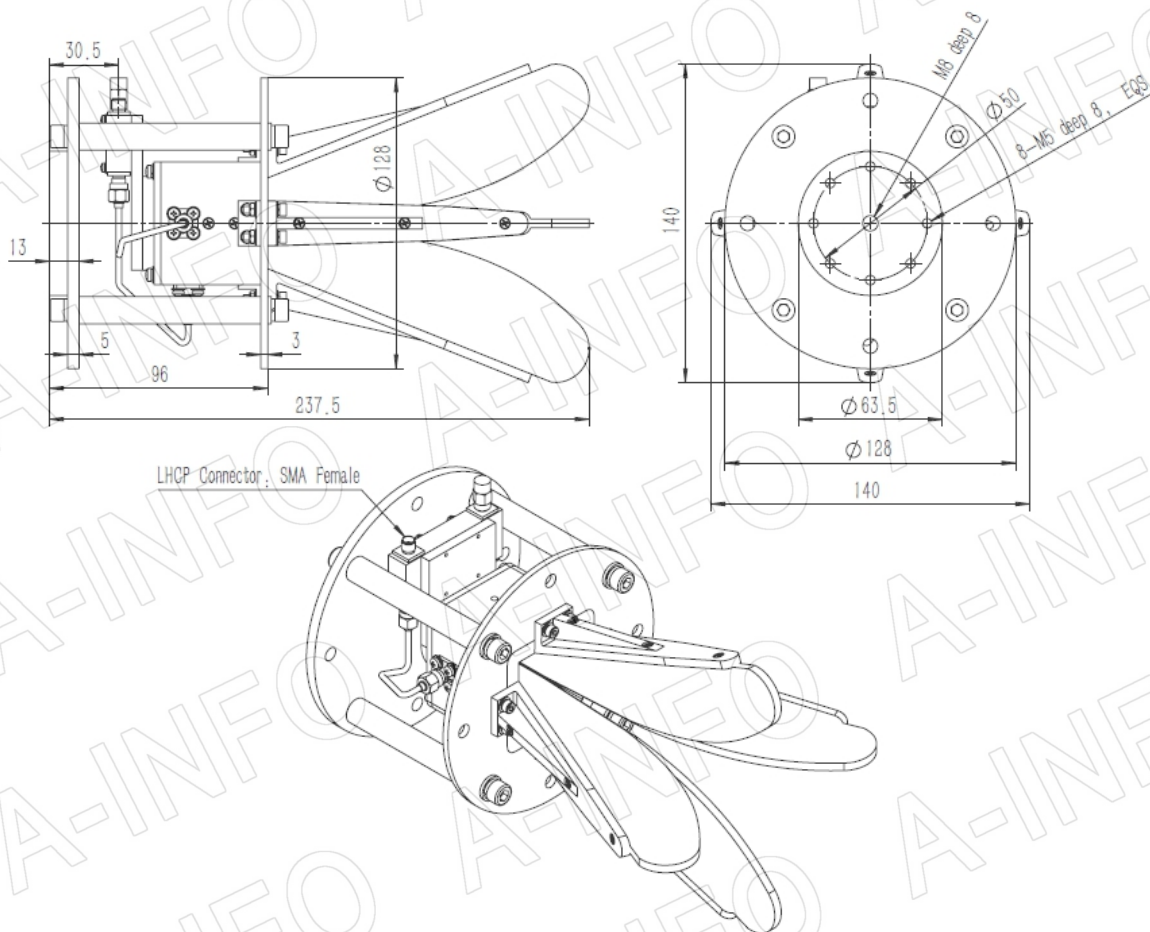
Technical Specification



Frequency Range(GHz)	2.0 – 18.0
Gain(dBic)	11.5 Typ.
Polarization	LHCP
Axial Ratio(dB)	4.0 Typ.
	9.0 Max.
3dB Beamwidth(deg)	E Plane: 56 - 17
	H Plane: 91 – 14
VSWR	2.0:1 Max.
Connector	SMA-Female
Power Handling(W CW)	20 Max.
Material	Al
Finish	Chemical Conversion Coating and Nickel Plated, Black Paint
Size(mm)	140 x 140 x 237.5
Net Weight(Kg)	1.12 Around

Outline Drawing (Size: mm)

SMA-Female Output (P/N: LB-OSJ-20180-P01)



AINFO Inc.

China(Beijing):
China(Chengdu):
USA :

Tel: (+86) 10-6266-7326,
Tel: (+86) 28-8519-2786,
Tel: (+1) 949-639-9688,

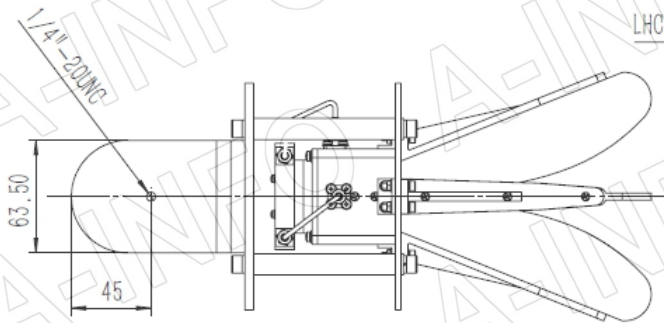
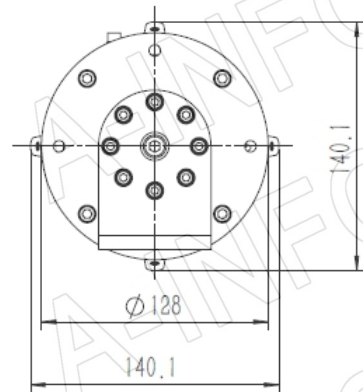
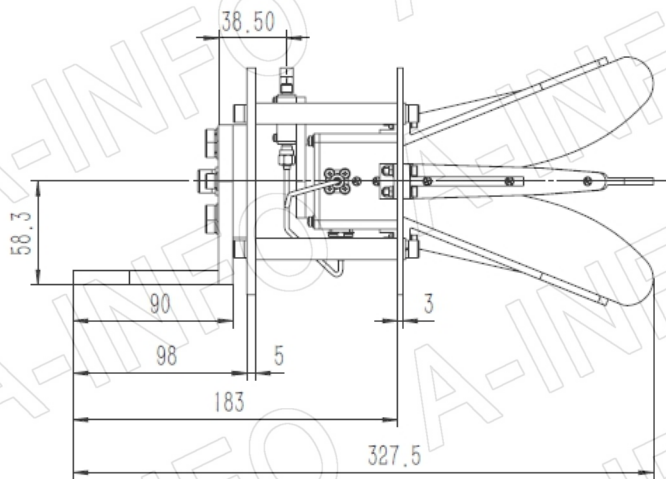
(+86) 10-6266-7327
(+86) 28-8519-3044
(+1) 949-639-9608

Page 1 of 10

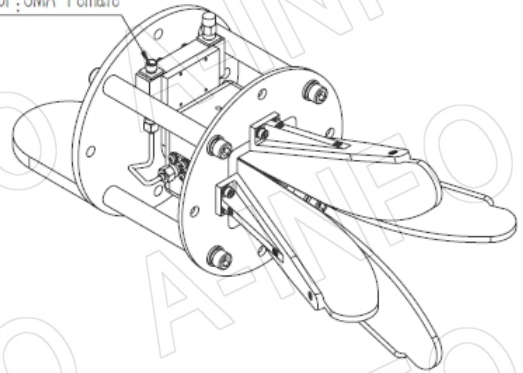
Fax: (+86) 10-6266-7379
Fax: (+86) 28-8519-3068
Fax: (+1) 949-639-9670

Website: www.ainfoinc.com
Email: sales@ainfoinc.com

SMA-Female Output with L Type Mounting Bracket (Option, P/N: LB-10180-L)

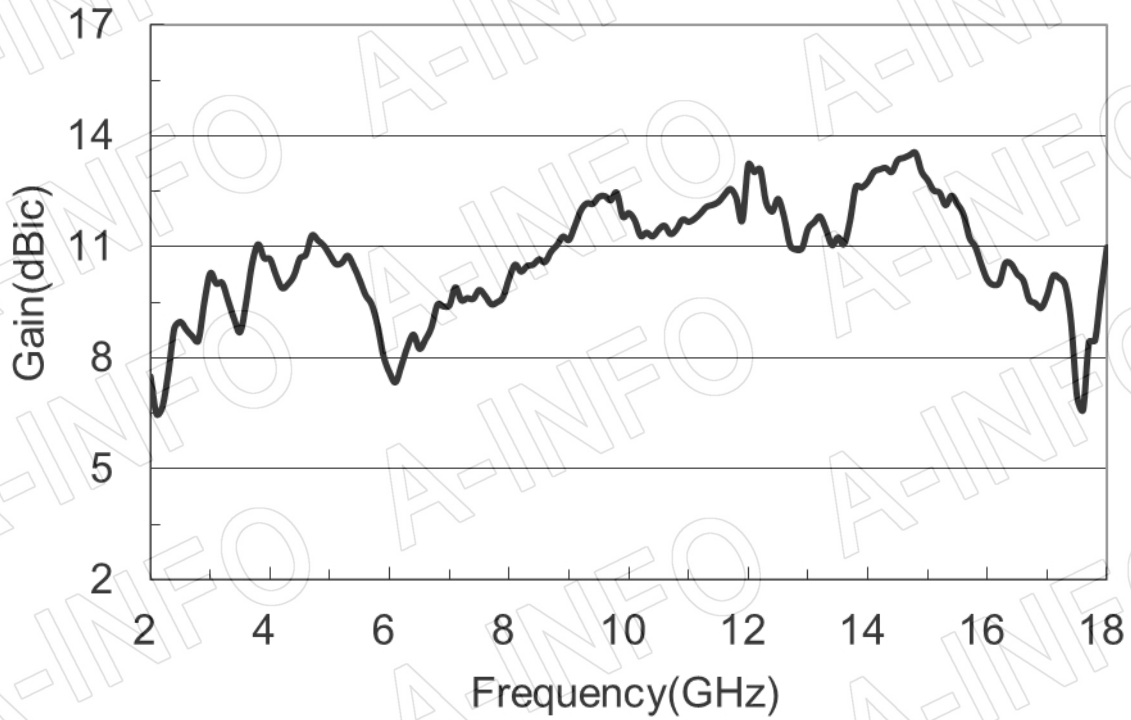


LHCP Connector, SMA Female

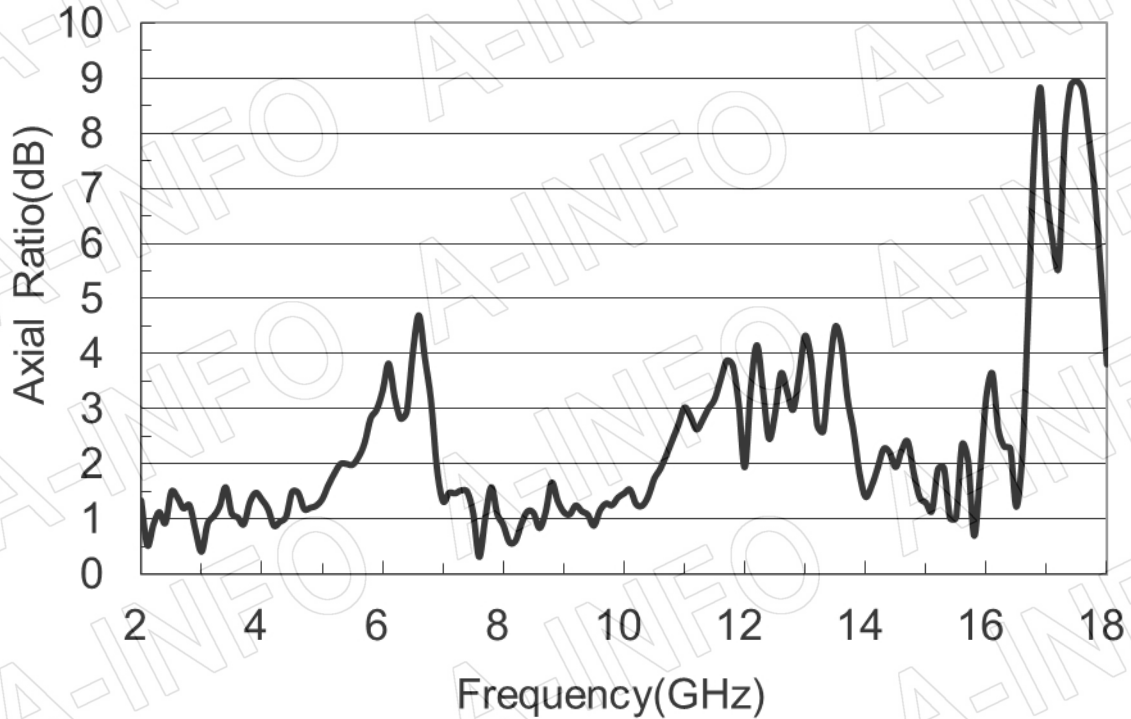


Test Results

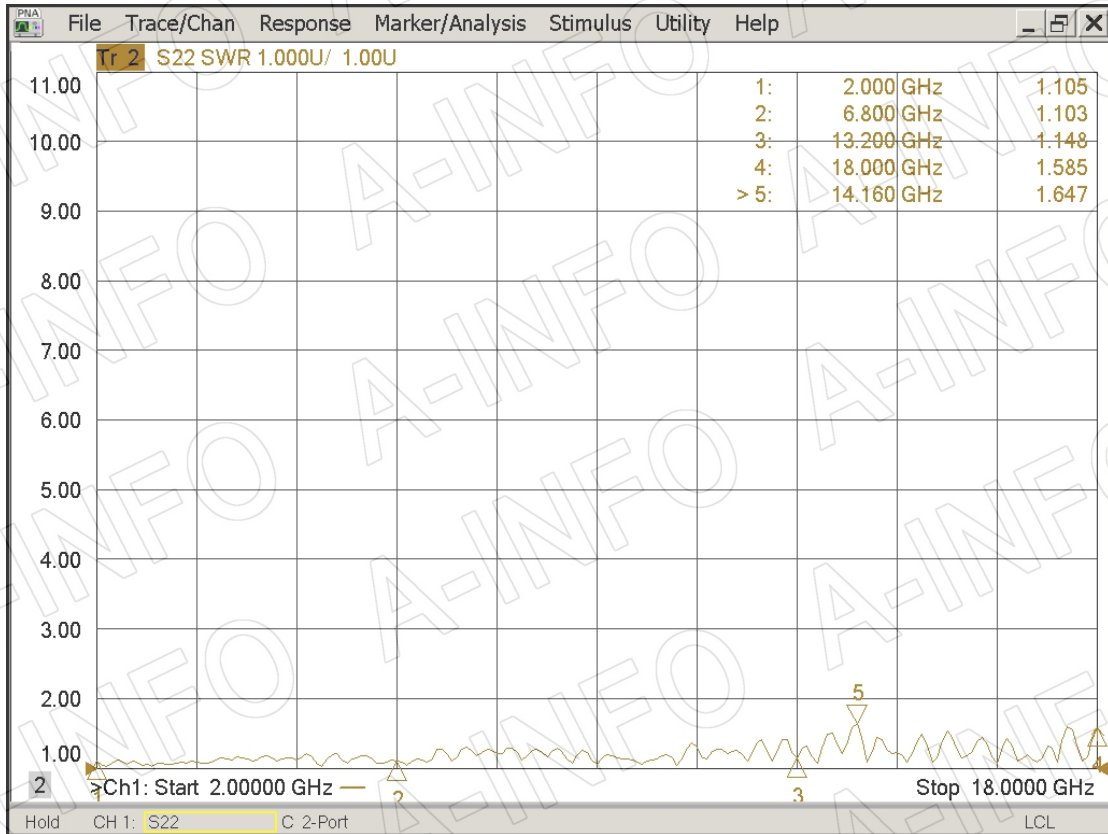
1. Gain



2. Axial Ratio



3. VSWR



4. Pattern

